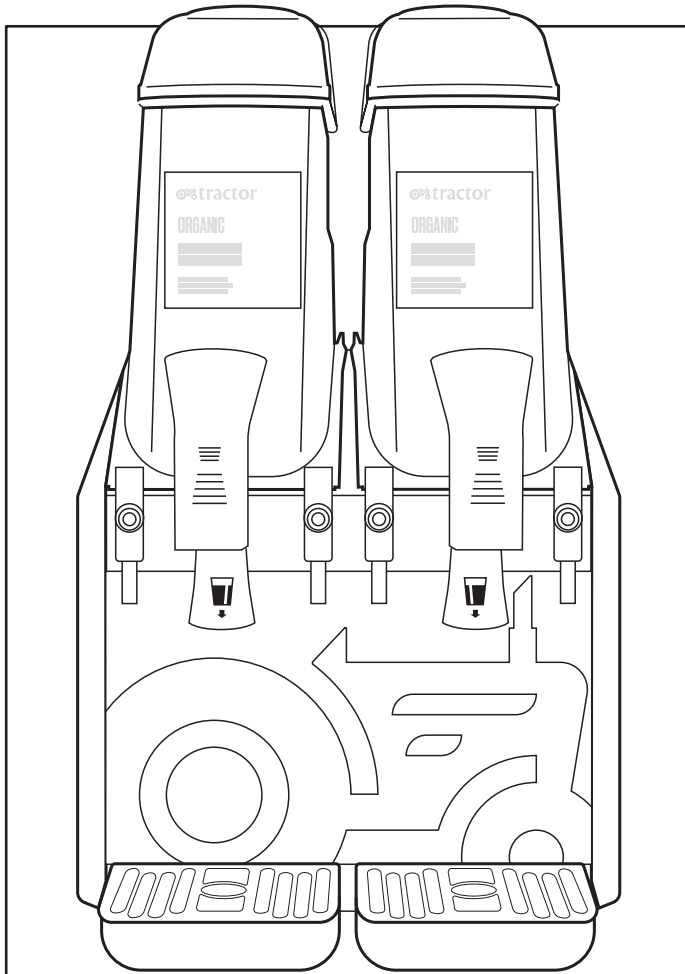


ELMECO FIRST CLASS MACHINE STANDARD OPERATING PROCEDURES



Your Elmeco FUB machine is designed to defrost for a couple of hours every night. Please refer to your owner's manual on how to program the exact hour for night mode that will fit your hours of operation.

CLEANING THE ELMECO

We recommend you empty and clean your Elmeco Machine every 7 days. Drip trays should be emptied and cleaned every day, along with the area behind it. Please follow the cleaning instructions described in your manual.

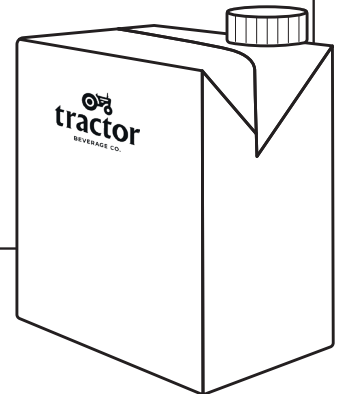
Please be mindful of the small rubber gaskets and the valves on the front of your machine. These are critical but often overlooked components that can be easily lost and cause unnecessary down time.

PREPARING FROZEN BEVERAGES

Your Tractor specialty drink concentrates mix at 4.75:1, which is different from the normal unfrozen mix ratio of 8.5 to 1.

To fill the Slushy machine half way, mix 1 Combi (32oz/ 1 quart) with 152oz of water (4.75 quarts), or to fill the machine entirely, mix 2 Combis with 304oz of water (9.5 quarts).

You'll need to allow 1 hour of freeze time for it to be ready to serve so please plan accordingly!



APPLYING GRAPHICS

To apply the flavor clings, simply remove cling from binder, spray or wipe water to front of slushy machine and back of cling. Apply top edge, lining up with the max fill line at the front of slushy machine. Use a flat edged tool or credit card to firmly press down to remove all air bubbles.

Ensure that all clings are straight and level. Any unused clings should be placed in the Tractor binder for safe storage.

To apply backplash decals, first moisten surface with glass cleaner to aid in placement.